

**AXOR Montreux**  
**2-handle bath mixer floor-standing with lever handles**  
 Surfaces: **Chrome** Article Number: **16553000**



**product features**

- consists of: 2-handle bath mixer floor standing, hand shower, shower hose, shower holder
- projection 234 mm
- connection type: basic set
- spray type mixer: normal spray
- spray type hand shower: RainAir
- maximum flow rate at 3 bar: 19,5 l/min
- flow rate for bath spout at 3 bar: 19,5 l/min
- flow rate of hand shower at 3 bar: 13 l/min
- min. operating pressure: 1 bar
- max. operating pressure: 10 bar
- ceramic valves hot/ cold 90°
- non-return valve
- suitable for continuous flow water heaters
- connection dimension: DN15
- Sealing foil 96441000 is needed twice

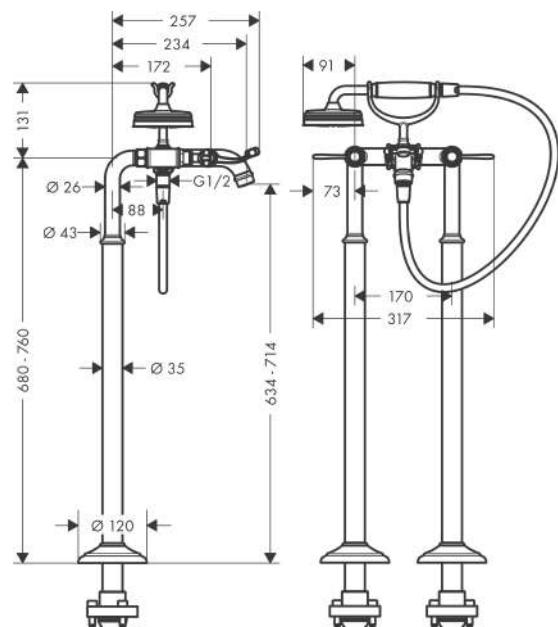
**Technology**



**Product image**



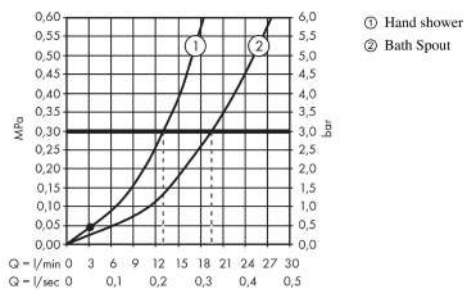
**Scale drawing**



**AXOR Montreux**  
**2-handle bath mixer floor-standing with lever handles**  
 Surfaces: **Chrome** Article Number: **16553000**



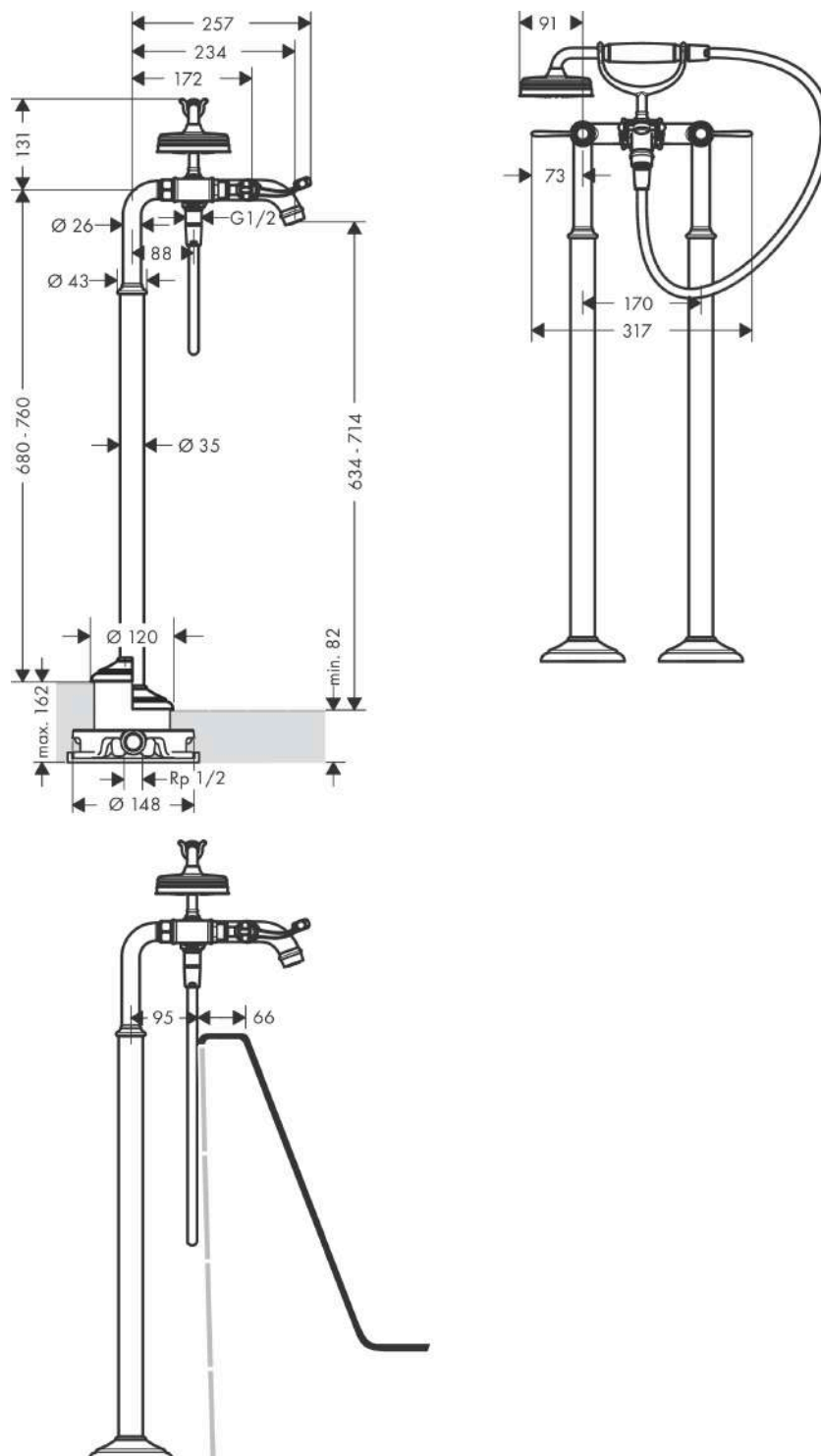
## Flowchart



**AXOR Montreux**  
**2-handle bath mixer floor-standing with lever handles**  
 Surfaces: **Chrome** Article Number: **16553000**



## Installation examples

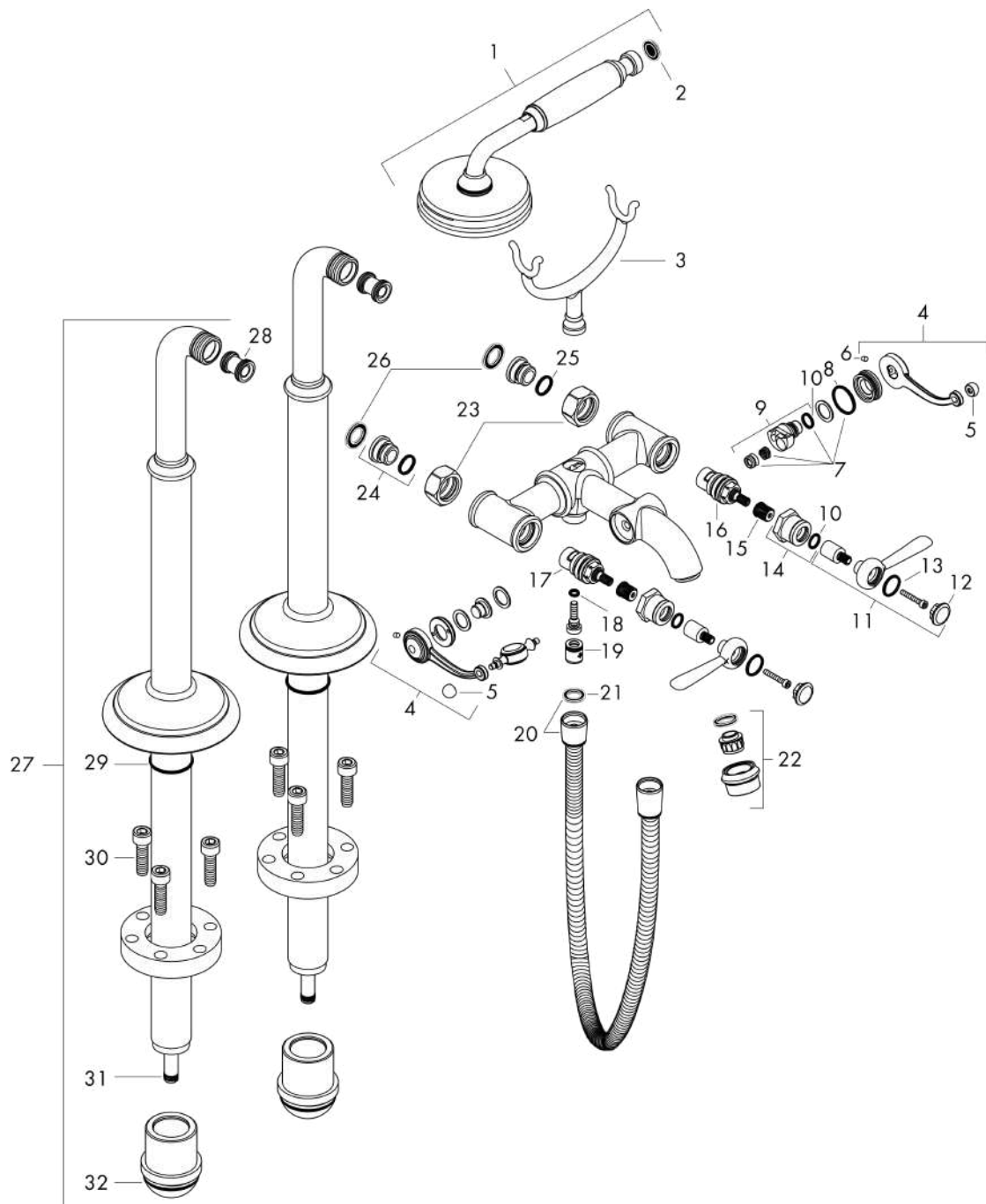


**AXOR Montreux**  
**2-handle bath mixer floor-standing with lever handles**  
 Surfaces: **Chrome** Article Number: **16553000**



## Exploded Drawing

Year of production: >10/16



**AXOR Montreux**  
**2-handle bath mixer floor-standing with lever handles**  
 Surfaces: **Chrome** Article Number: **16553000**



## Spare part list

Year of production: >10/16

Pos.		Article Number	Price	PU
1	handshower	16320000	-	1
2	filter packing	94246000	-	1
3	shower base	98590000	-	1
4	sliding gear lever	98594000	-	1
5	set of nuts	92852820	-	1
6	hollow set screw M4x6	97767000	-	1
7	service set	96301810	-	1
8	O-ring 23x2	98398000	-	1
9	selector	98591000	-	1
10	O-ring 14x1,78	92984000	-	1
11	handle	92705000	-	1
12	set of screw covers, cold / hot water / neutral	97987000	-	1
13	O-ring 16x2	98133000	-	1
14	sleeve	92712000	-	1
15	adapter for handle	92375000	-	1
16	shut off unit right closing	96350000	-	1
17	shut off unit left closing	96351000	-	1
18	O-ring 5x2	98215000	-	1
19	set of non return valves DW 15	94074000	-	1
20	shower hose 1,25 m	28112000	-	1
21	seal	98058000	-	1
22	aerator M22x1 (25 l/min)	98575000	-	1
23	set of nuts	96157000	-	1
24	connecting thread	97220000	-	1
25	O-ring 15x2	98163000	-	1
26	filter packing	96922000	-	1
27	pillar union	98856000	-	1
28	noise reduction	96429000	-	1
29	O-ring 35x2	92604000	-	1
30	hexagon socket screw M10x35	97670000	-	1
31	O-ring 9x1,5	98117000	-	1
32	O-ring 44x2,5	98162000	-	1